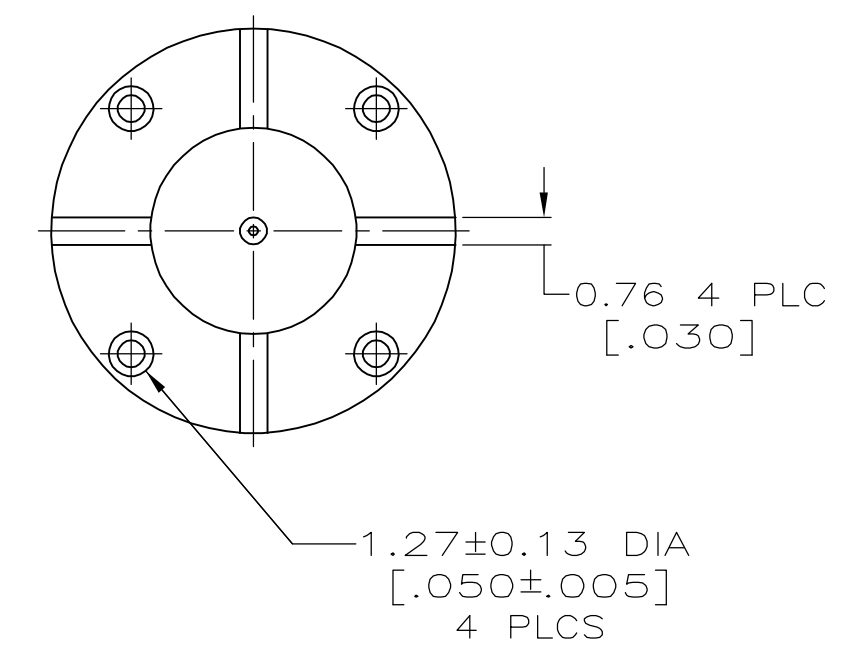
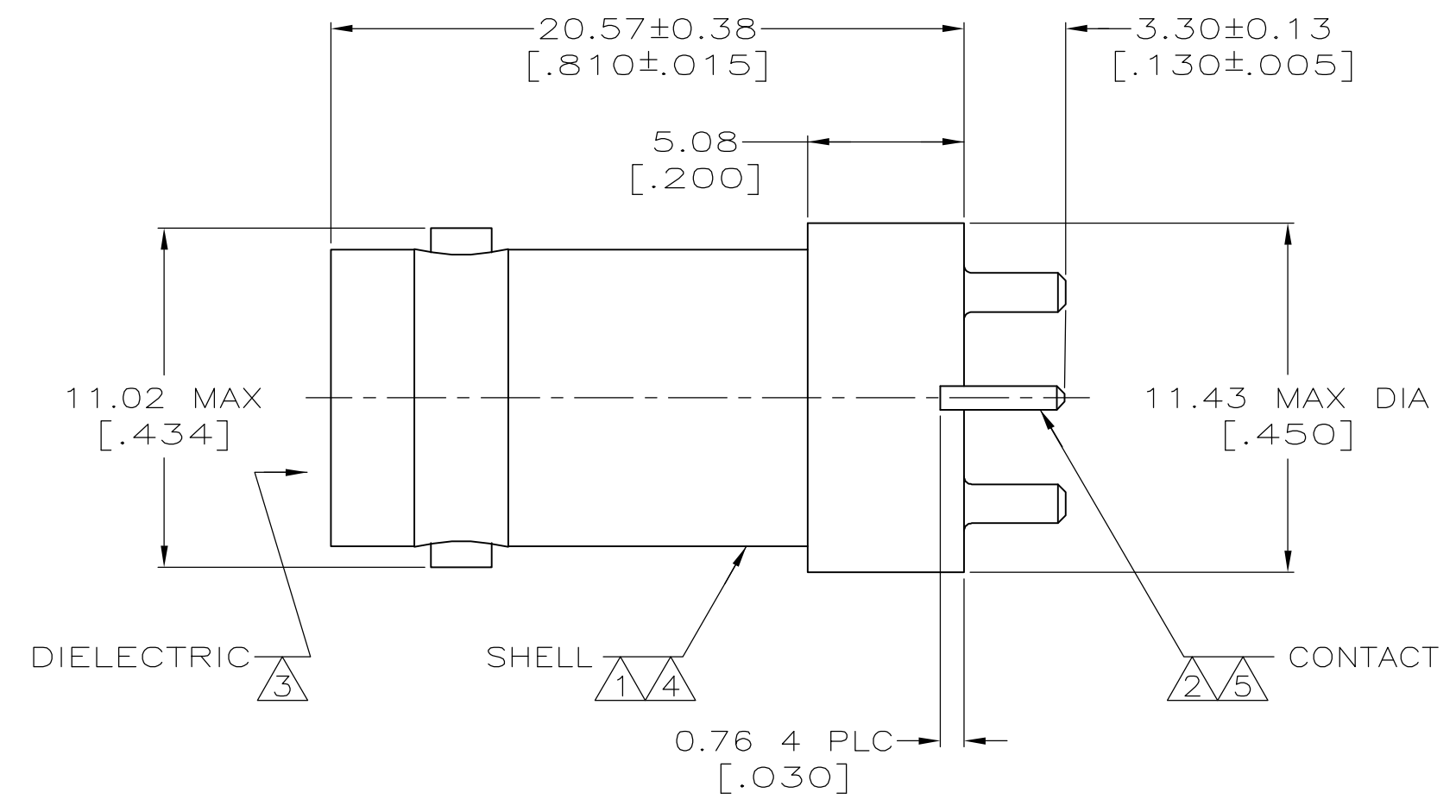
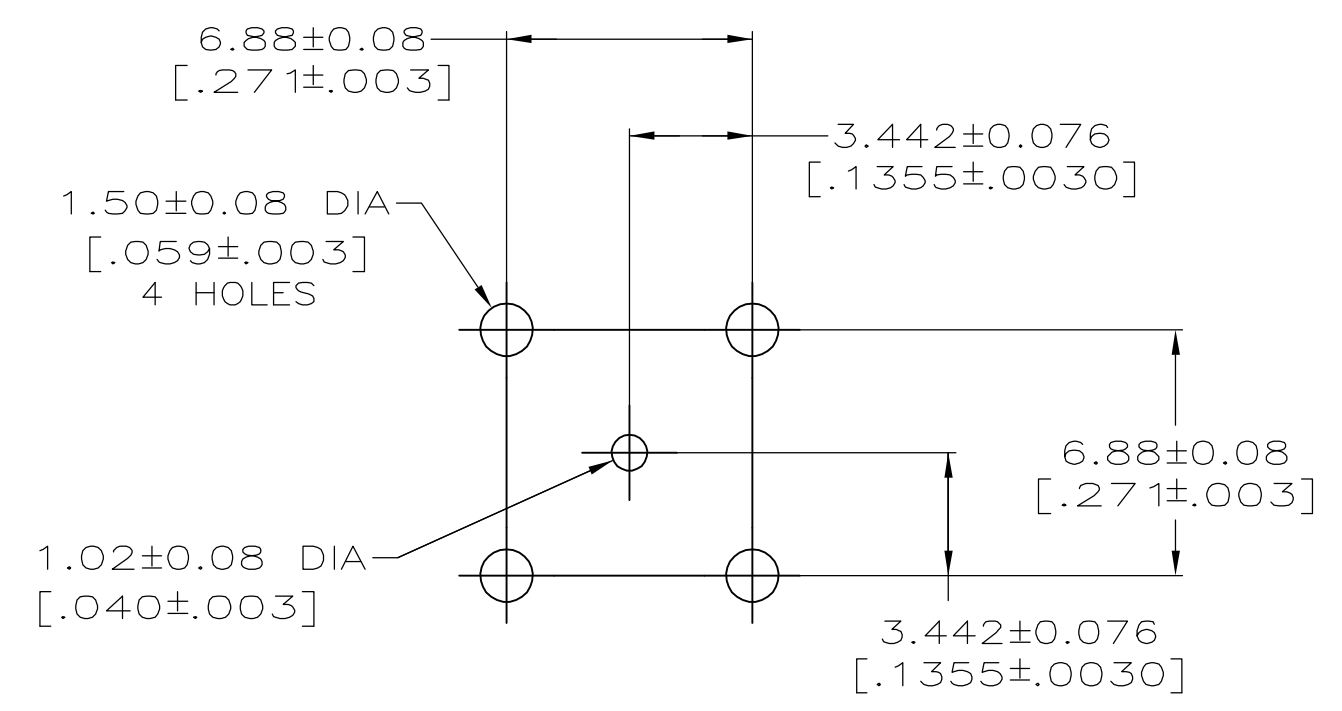


LOC	DIST	REVISIONS					
AJ	16	P	LTR	DESCRIPTION	DATE	DWN	APVD
		G		REVISED PER ECO-05-008689	06SEP05	BM	JL



- ① ZINC PER QQ-Z-363.
- ② BERYLLIUM COPPER PER ASTM-B-196.
- ③ PTFE PER MIL-P-19468.
- ④ TIN-LEAD PLATE PER ASTM-B-545,
3.05 μm [.000120] MINIMUM THICK.
- ⑤ GOLD PLATE PER MIL-G-45204
0.76 μm [.000030] MINIMUM THICK.
- 6. SEE INSTRUCTION SHEET 408-9889.



PCB CONFIGURATION

413969-2
PART NUMBER

THIS DRAWING IS A CONTROLLED DOCUMENT.		DWN J. LIPPERT 10-8-90		Tyco Electronics Corporation Harrisburg, Pa 17105-3608	
DIMENSIONS: mm[INCHES]		CHK R. E. RUTH 10-16-90		NAME A. GABANY	
TOLERANCES UNLESS OTHERWISE SPECIFIED:		APVD A. GABANY 10-16-90	PRODUCT SPEC 108-12078		
0 PLC ± - 1 PLC ± - 2 PLC ± 0.20 [.008] 3 PLC ± - 4 PLC ± - ANGLES ± ± -		APPLICATION SPEC -		SIZE A2	CAGE CODE 00779
MATERIAL SEE NOTES 1-3		FINISH SEE NOTES 4-7		DRAWING NO G-413969	
		WEIGHT -		RESTRICTED TO -	
		CUSTOMER DRAWING		SCALE 5:1 SHEET 1 OF 1 REV G	